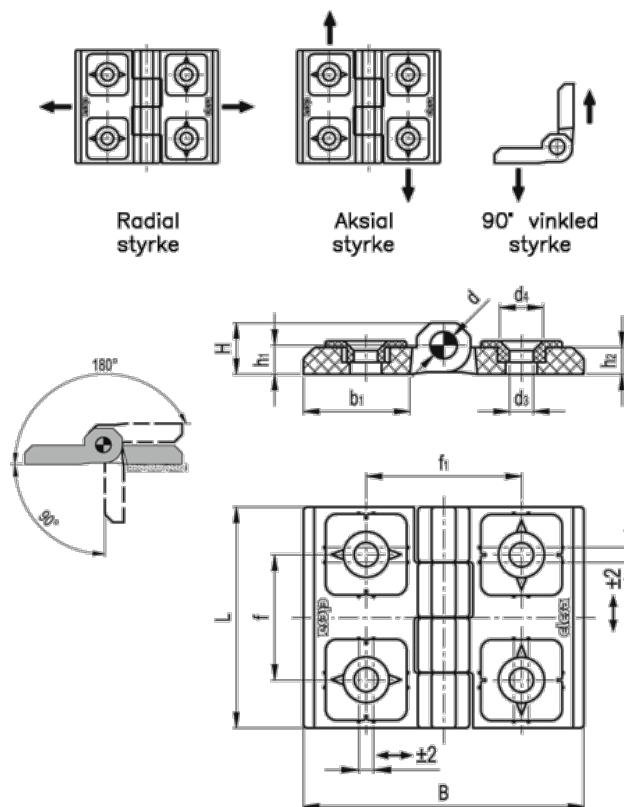


Data Sheet



Article number: 2310426431
 Description: E+G Hinge
 CFR.60 SH-6

Measures



$B = 75$	h_1	$= 9.5$
$b_1 = 29.5$	h_2	$= 8$
$d = 8$	L	$= 60$
$d_3 = 6.5$	Max. axial load E_a (N)	$= 1800$
$d_4 = 12.5$	Max 90 degrees load E_{90} (N)	$= 2130$
$f = 34$	Max radial load E_r (N)	$= 2700$
$f_1 = 42$	Max tightening torque (Nm)	$= >5$
$H = 16$	Weight (g)	$= 72$